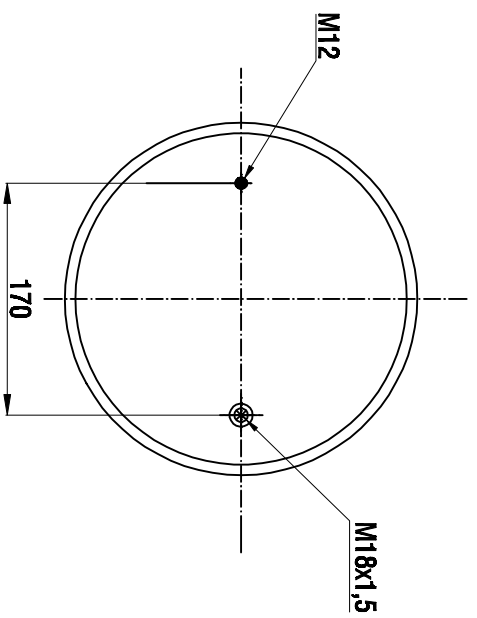
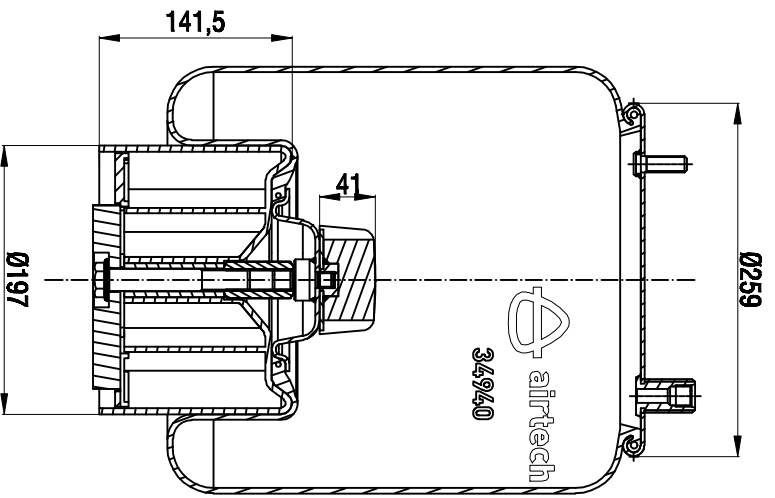
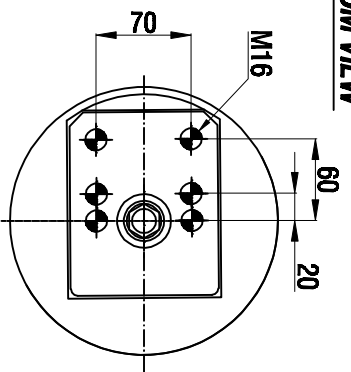


TOP VIEW



BOTTOM VIEW



Drawings are prepared for catalogue study.

0		First drawing	12.12.2012			
1		Changes	Date	Drawn by	Checked by	Approved by
PART WEBENT:	Do not make this drawing	Defected	⊗	Change steel	⊗	Av. link
					⊕	Threaded hole
<small>All data of this document are the property of AKTAS & AKTAS and are confidential. Any use without the written permission of AKTAS & AKTAS is strictly prohibited.</small>						
PART NAME:		34940 KPP COMPLETE (AIRTECH)				ORDER NO:135742