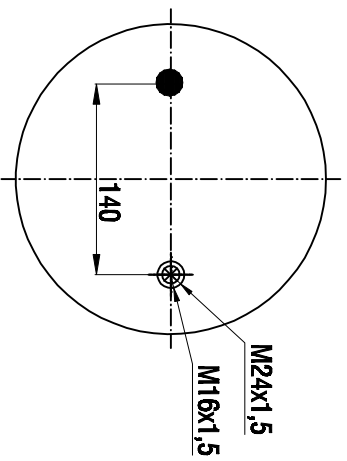
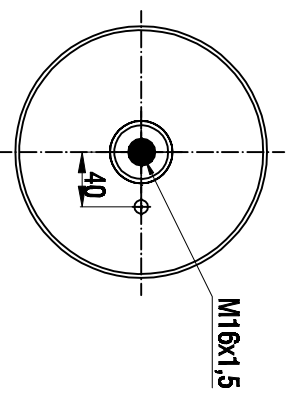


TOP VIEW



BOTTOM VIEW



Drawings are prepared for catalogue study.

REV	0	First drawing	12.12.2012				
DATE	Issue	Changes	Date	Drawn by	Checked by	Approved by	
PART		Do not scale this drawing	<input checked="" type="checkbox"/> Backfill	<input checked="" type="checkbox"/> Condo steel	<input checked="" type="checkbox"/> Air tek	<input checked="" type="checkbox"/> Threaded hole	
WEIGHT:		<small>All rights reserved on the property of AIRTECH. All items sold and supplied are subject to availability and subject to change without notice. Please refer to the product manual for details.</small>					ORDER NO.:135182
PART NAME:		34915-01 K COMPLETE (AIRTECH)					