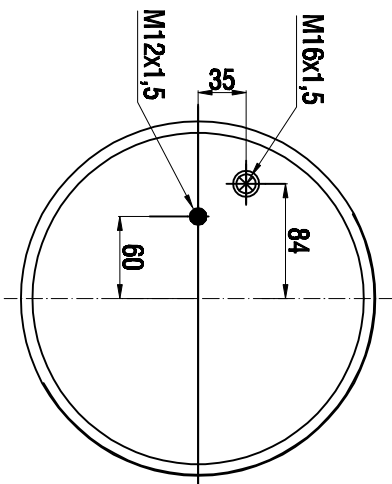
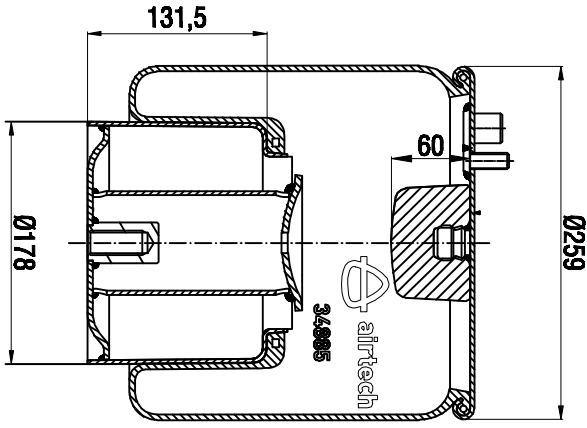
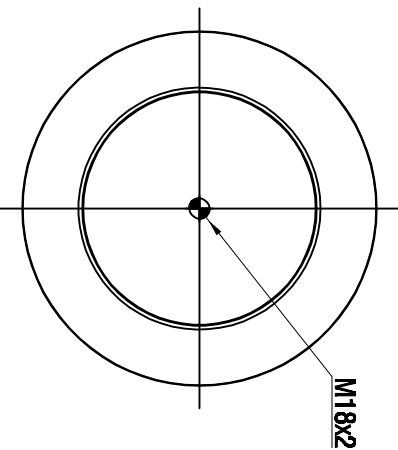


**TOP VIEW**



**BOTTOM VIEW**



Drawings are prepared for catalogue study.

REV	0	First drawing	12.12.2012				
DESIGNER	...	Changes	Date	Drawn by	Checked by	Approved by	
PART NAME	34885 K COMPLETE (AIRTECH)						ORDER NO:136842
VEIGHT:	...	Do not write this drawing	<input checked="" type="checkbox"/> Drafted <input checked="" type="checkbox"/> Gamma steel <input checked="" type="checkbox"/> Air lock <input checked="" type="checkbox"/> Threaded hole		All rights of this document are the property of AIRTECH S.A. You are not and may not reproduce, modify, distribute, sell, lease, license, or otherwise use this document without the written permission of AIRTECH S.A.		aktaş