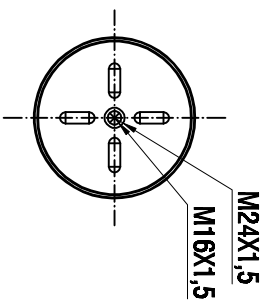
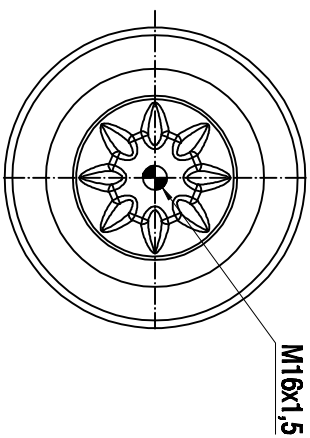
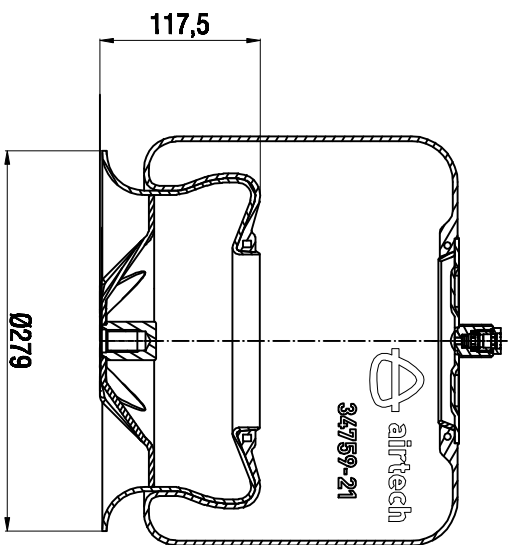


TOP VIEW



BOTTOM VIEW



Drawings are prepared for catalogue study.

Revision		Date		Drawn by		Checked by		Approved by	
0	Free drawing	12.12.2012							
Issue		Changes		Date		Drawn by		Approved by	
Do not write this drawing		● Backward		⊗ Centric steel		⊗ Air lock		⊕ Threaded hole	
PART VERSION:		<small>All rights of this document are the property of AKTAS. Forwarding and copying of technical data without the explicit written permission of AKTAS is prohibited.</small>							
-Kg								ORDER NO.: 137022	
PART NAME		34759-21 K COMPLETE (ARTECH)							