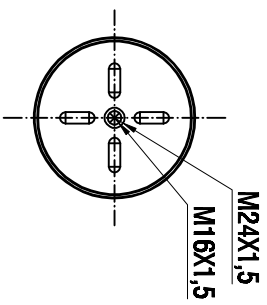
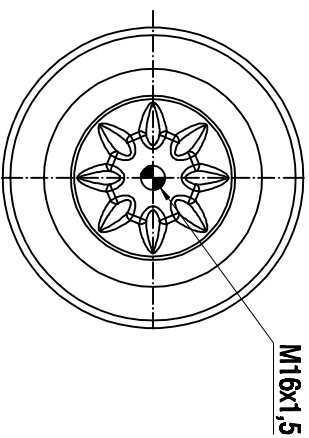
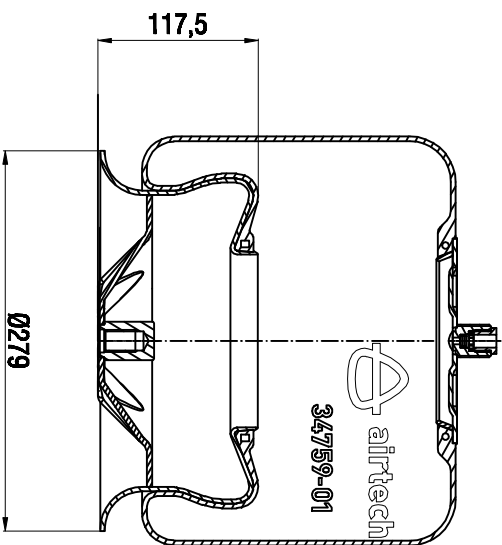


TOP VIEW



BOTTOM VIEW



Drawings are prepared for catalogue study.

↓							
0	Final drawing	12.12.2012					
0	Changes	Date	Drawn by	Checked by	Approved by		
Do not send this drawing		<input checked="" type="checkbox"/> Deleted	<input checked="" type="checkbox"/> Combo edit	<input checked="" type="checkbox"/> Air task	<input checked="" type="checkbox"/> Threaded hole		
<small>All rights of this document are the property of AIRTECH S.p.A. Any use, reproduction, distribution, or disclosure of this document without the written permission of AIRTECH S.p.A. is strictly prohibited.</small>						ORDER NO.:137012	
PART NAME		34759-01 K COMPLETE (AIRTECH)					
PART WEIGHT: -Kg.							