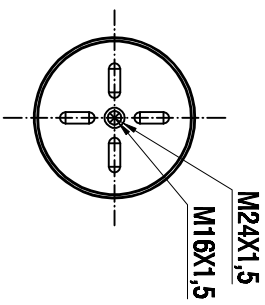
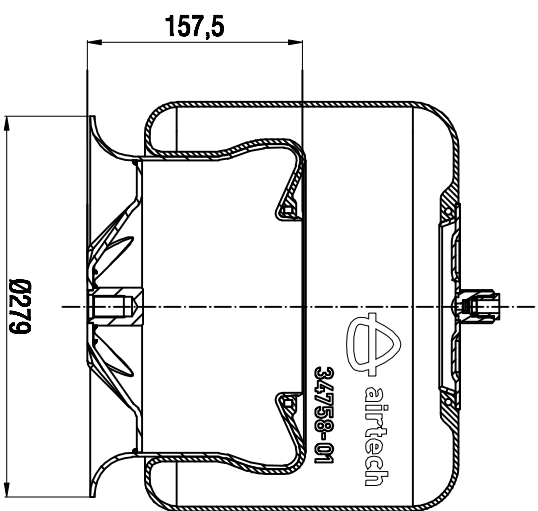
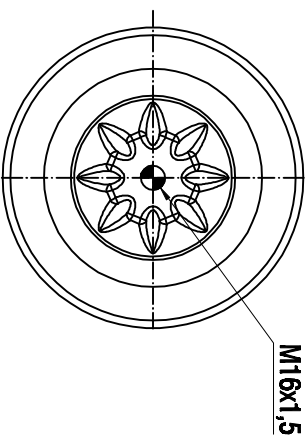


TOP VIEW



BOTTOM VIEW



Drawings are prepared for catalogue study.

↑							
↓	0	First drawing	12.12.2012				
15	Issue	Changes	Date	Drawn by	Checked by	Approved by	
PART VERSION:		Do not create this drawing	<input checked="" type="checkbox"/> Initial	<input checked="" type="checkbox"/> Change steel	<input checked="" type="checkbox"/> Air tech	<input checked="" type="checkbox"/> Threaded hole	
<small>All rights of this document are the property of AKTAS. It is not to be used for any other purpose without the written permission of AKTAS.</small>							ORDER NO.: 135852
PART NAME						34758-01 K COMPLETE (AIRTECH)	