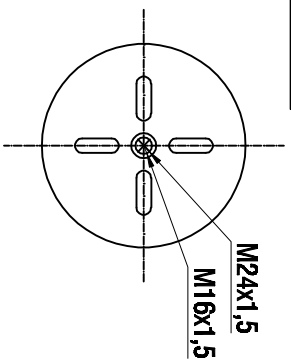
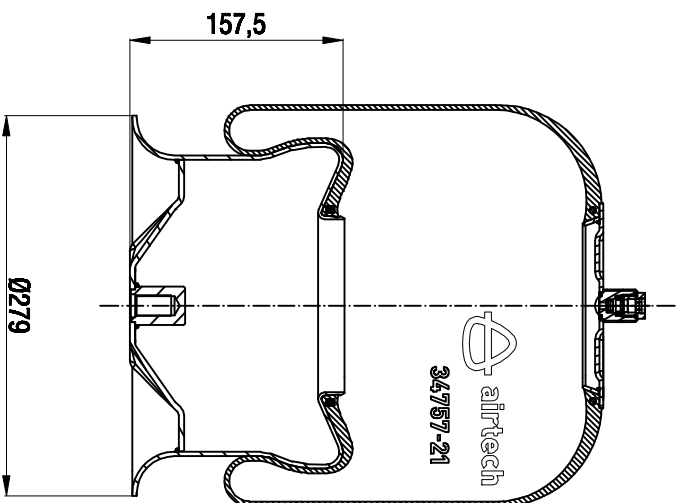
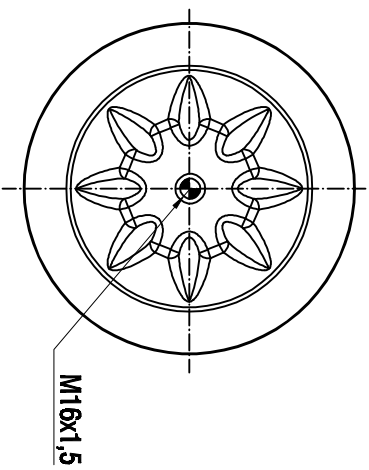


TOP VIEW



BOTTOM VIEW



Drawings are prepared for catalogue study.

1							
0	First drawing	12.12.2012					
1	Change						
5	Issue						
PART		Do not make this drawing	Red/Red	Change sheet	Air link	Threaded hole	
WEIGHT:		<small>All rights of this document are the property of AIRTECH. All trademarks and registered trademarks mentioned herein belong to their respective owners. All other trademarks are the property of their respective owners.</small>					
PART NAME:		34757-21 K COMPLETE (AIRTECH)				ORDER NO:135692	
						