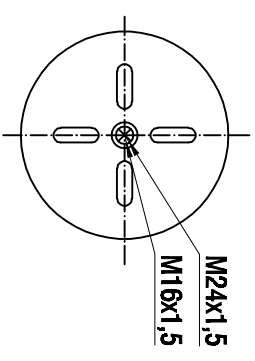
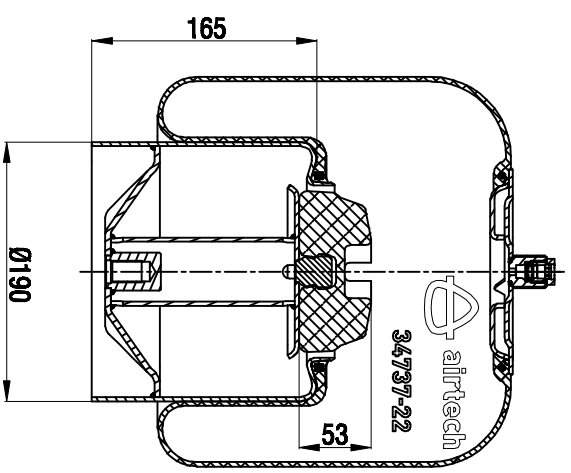
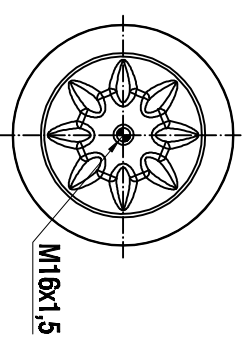


TOP VIEW



BOTTOM VIEW



Drawings are prepared for catalogue study.

<input type="checkbox"/> 0 First drawing <input type="checkbox"/> Issues Changes		12.12.2012	Date	Drawn by	Checked by	Approved by
PART Do not write this drawing WEIGHT:		<input type="checkbox"/> Draw/Dim <input checked="" type="checkbox"/> Combo steel <input type="checkbox"/> Air stick <input type="checkbox"/> Threaded hole	<small>All rights of this document are the property of AIRTECH S.p.A. No reproduction, partial or total, is permitted without the prior written consent of AIRTECH S.p.A.</small>			
PART NAME: 34373-22 K COMPLETE (AIRTECH)		ORDER NO: 135662				