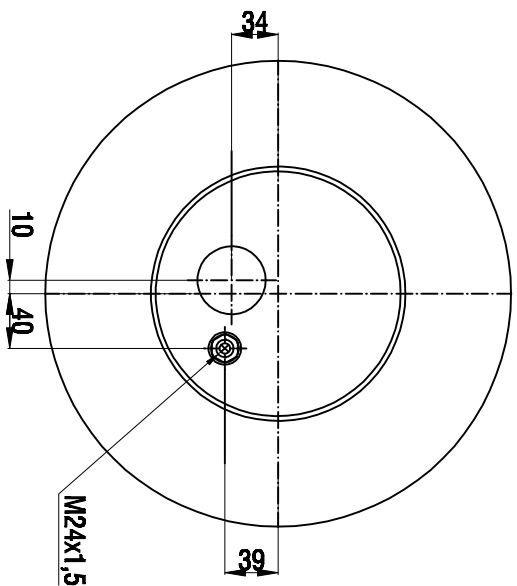
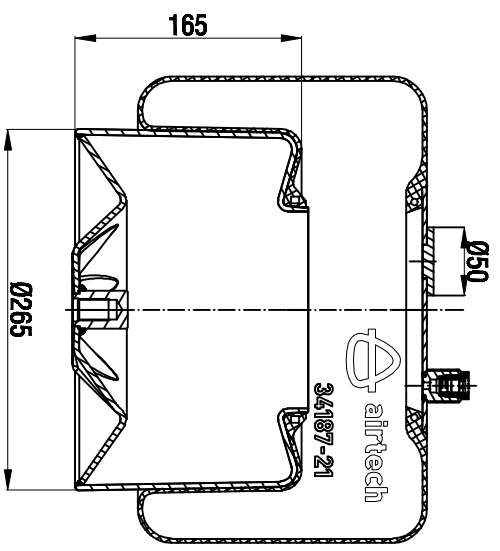
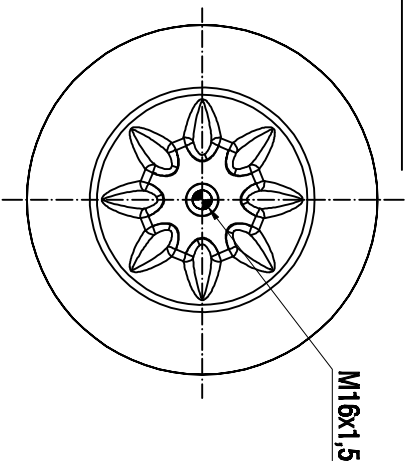


**TOP VIEW**



**BOTTOM VIEW**



Drawings are prepared for catalogue study.

Revision	0	First drawing	12.12.2012				
Issue	Changes	Date	Drawn by	Checked by	Approved by		
Do not make this drawing	Revised	Checked steel	Air tek	Threated hole			
<small>All rights reserved. All dimensions are the property of AIRTECH S.A. No part of this drawing, nor any reproduction, may be made, stored, transmitted, or used in any way without the prior written permission of AIRTECH S.A.</small>							<b>ORDER NO: 135892</b>
<b>PART NAME: 34187-21 K COMPLETE (AIRTECH)</b>							