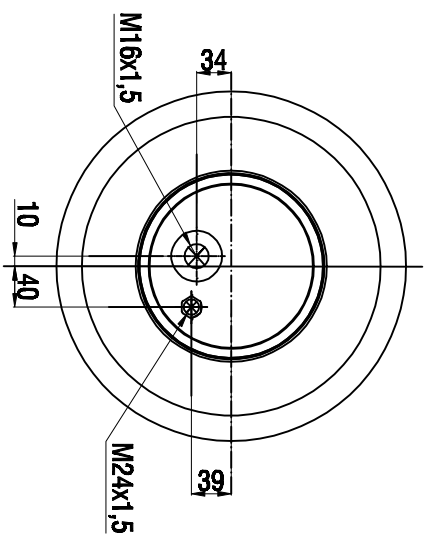
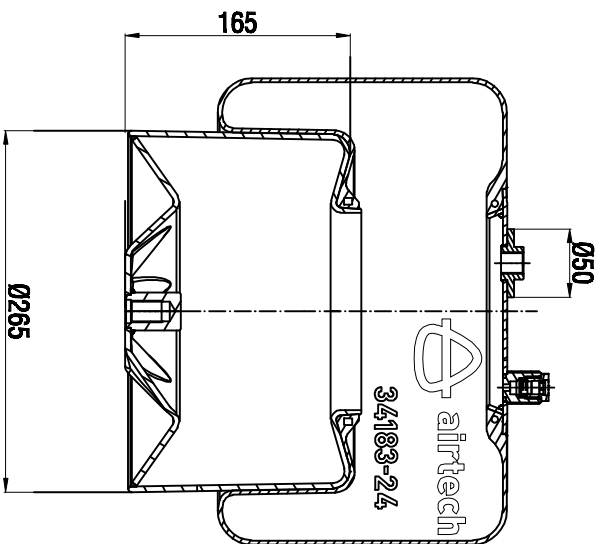
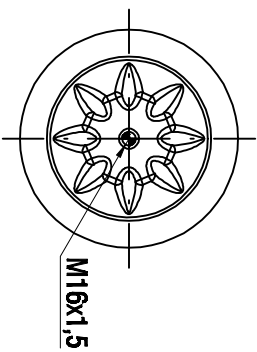


TOP VIEW



BOTTOM VIEW



Drawings are prepared for catalogue study.

1					
0		First drawing		12.12.2012	
3 Issues		Changes		Date	
PART		Do not make		Date	
WEIGHT:		with drawing		Drawn by	
...kg		● Solidified		Checked by	
		⊗ Control steel		Approved by	
		⊗ Air inlet		Treaded hole	
		● Threaded hole			
		<small>All rights of this document are the property of AKTAS. Any reproduction, distribution, or use without the prior written permission of AKTAS is strictly prohibited.</small>		ORDER NO: 135822	
PART NAME:		34183-24 K COMPLETE (AIRTECH)		