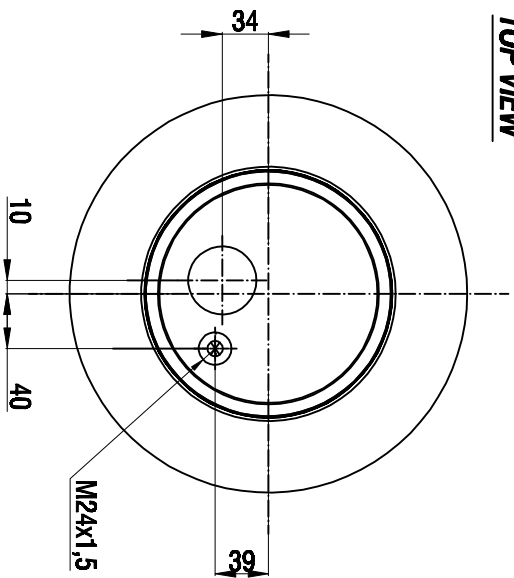
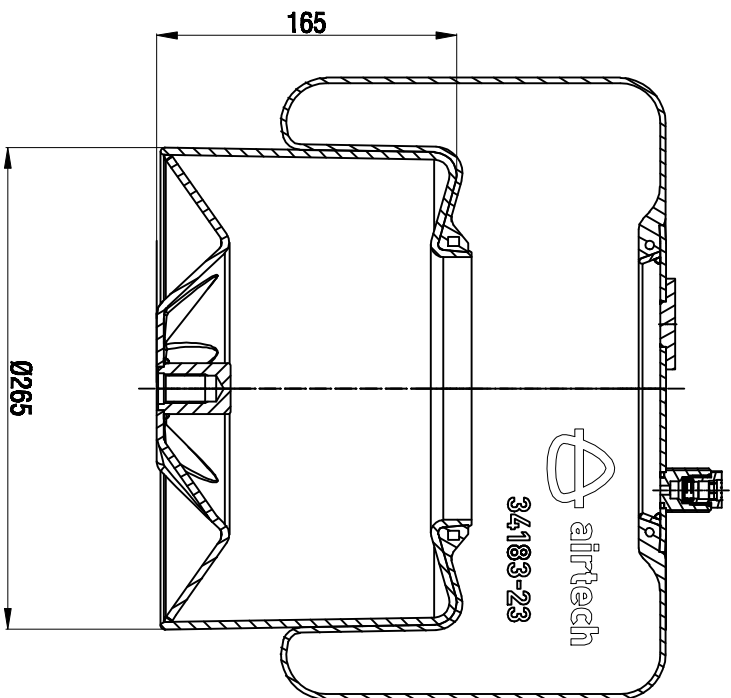
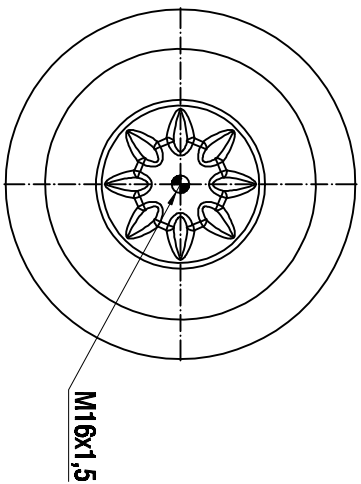


TOP VIEW



BOTTOM VIEW



Drawings are prepared for catalogue study.

0	Final	Final drawing	12.12.2012						
1	Change								
2	Change								
3	Change								
4	Change								
5	Change								
6	Change								
7	Change								
8	Change								
9	Change								
10	Change								
11	Change								
12	Change								
13	Change								
14	Change								
15	Change								
16	Change								
17	Change								
18	Change								
19	Change								
20	Change								
21	Change								
22	Change								
23	Change								
24	Change								
25	Change								
26	Change								
27	Change								
28	Change								
29	Change								
30	Change								
31	Change								
32	Change								
33	Change								
34	Change								
35	Change								
36	Change								
37	Change								
38	Change								
39	Change								
40	Change								
41	Change								
42	Change								
43	Change								
44	Change								
45	Change								
46	Change								
47	Change								
48	Change								
49	Change								
50	Change								
51	Change								
52	Change								
53	Change								
54	Change								
55	Change								
56	Change								
57	Change								
58	Change								
59	Change								
60	Change								
61	Change								
62	Change								
63	Change								
64	Change								
65	Change								
66	Change								
67	Change								
68	Change								
69	Change								
70	Change								
71	Change								
72	Change								
73	Change								
74	Change								
75	Change								
76	Change								
77	Change								
78	Change								
79	Change								
80	Change								
81	Change								
82	Change								
83	Change								
84	Change								
85	Change								
86	Change								
87	Change								
88	Change								
89	Change								
90	Change								
91	Change								
92	Change								
93	Change								
94	Change								
95	Change								
96	Change								
97	Change								
98	Change								
99	Change								
100	Change								
101	Change								
102	Change								
103	Change								
104	Change								
105	Change								
106	Change								
107	Change								
108	Change								
109	Change								
110	Change								
111	Change								
112	Change								
113	Change								
114	Change								
115	Change								
116	Change								
117	Change								
118	Change								
119	Change								
120	Change								
121	Change								
122	Change								
123	Change								
124	Change								
125	Change								
126	Change								
127	Change								
128	Change								
129	Change								
130	Change								
131	Change								
132	Change								
133	Change								
134	Change								
135	Change								
136	Change								
137	Change								
138	Change								
139	Change								
140	Change								
141	Change								
142	Change								
143	Change								
144	Change								
145	Change								
146	Change								
147	Change								
148	Change								
149	Change								
150	Change								
151	Change								
152	Change								
153	Change								
154	Change								
155	Change								
156	Change								
157	Change								
158	Change								
159	Change								
160	Change								
161	Change								
162	Change								
163	Change								
164	Change								
165	Change								
166	Change								
167	Change								
168	Change								
169	Change								
170	Change								
171	Change								
172	Change								
173	Change								
174	Change								
175	Change								
176	Change								
177	Change								
178	Change								
179	Change								
180	Change								
181	Change								
182	Change								
183	Change								
184	Change								
185	Change								
186	Change								
187	Change								
188	Change								
189	Change								
190	Change								
191	Change								
192	Change								
193	Change								
194	Change								
195	Change								
196	Change								
197	Change								
198	Change								
199	Change								
200	Change								

PART NAME: 34183-23 K COMPLETE (AIRTECH)



ORDER NO:135042