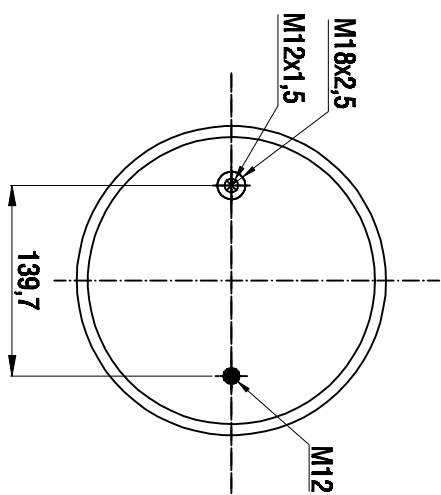
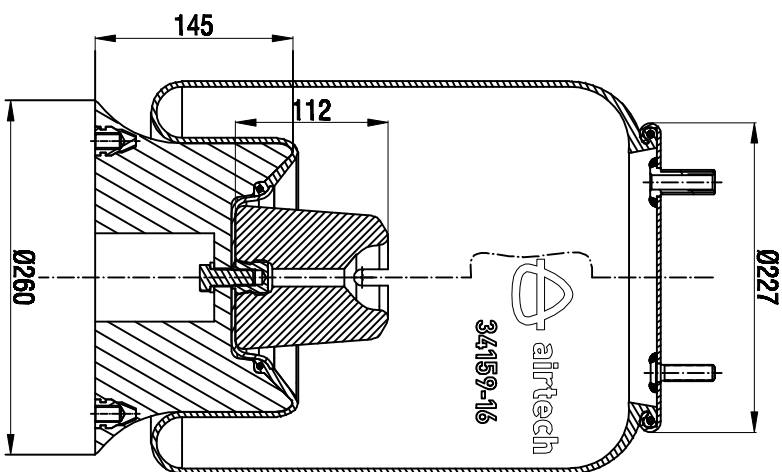
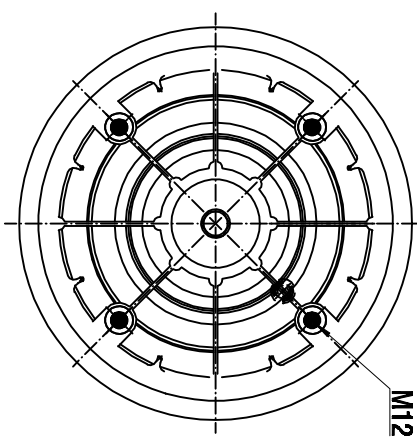


TOP VIEW



BOTTOM VIEW



Drawings are prepared for catalogue study.

REV.	DESCRIPTION	DATE	DRAWN BY	CHECKED BY	APPROVED BY
0	First drawing	12.12.2012			
PART NAME: 34159-16 KPP COMPLETE (AIRTECH)				ORDER NO:136152	
PART WEIGHT: 1kg					
DRAWING TYPE: Do not create this drawing					
MATERIAL: Body/Final					
FINISH: <input checked="checked" type="checkbox"/> Chamfer steel <input checked="checked" type="checkbox"/> Air line <input checked="checked" type="checkbox"/> Threaded hole					
SCALE: 1:1					
DRAWING NO: 34159-16 KPP COMPLETE (AIRTECH)					
DRAWING DATE: 12.12.2012					
DRAWING BY: [Signature]					
CHECKED BY: [Signature]					
APPROVED BY: [Signature]					

