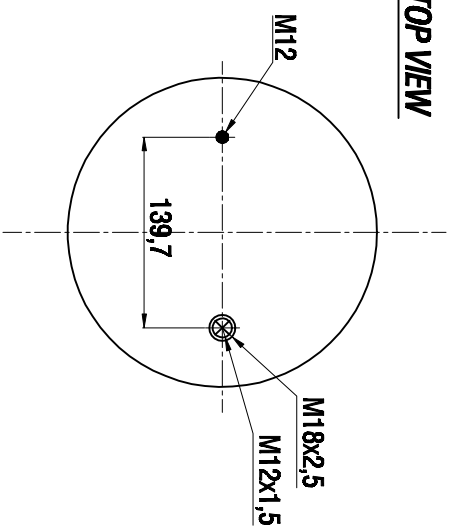
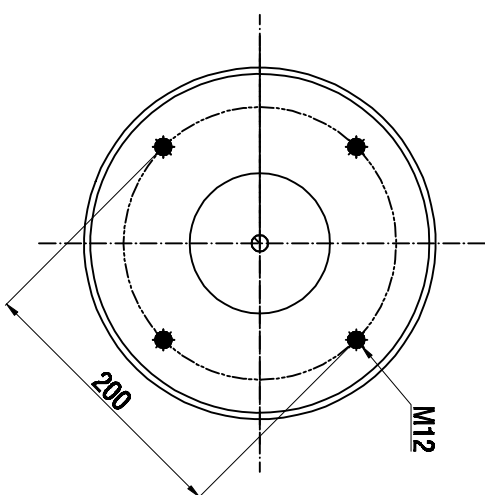


TOP VIEW



BOTTOM VIEW



Drawings are prepared for catalogue study.

REV	0	First drawing	12.12.2012				
REV	1	Changes		Drawn by	Checked by	Approved by	
REVISIONS	Do not write this drawing	Red/Blue	⊗	Combo steel	⊗	Av. Ink	⊕
REVISIONS							Threaded hole
<small>All rights of this document are the property of AIRTECH S.A. It is forbidden to reproduce, in any form, without the prior written permission of AIRTECH S.A.</small>							
PART NAME: 34156-14 K COMPLETE (AIRTECH)(095.0332)							ORDER NO:136342
							aktas