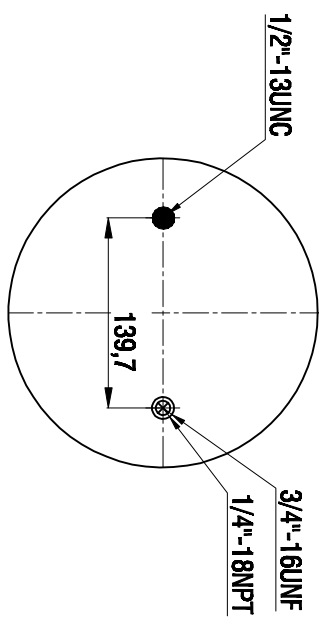
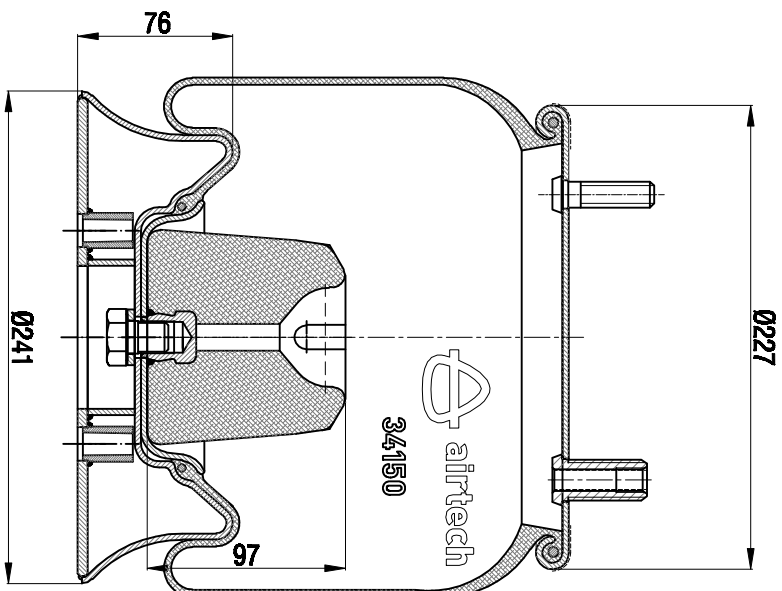
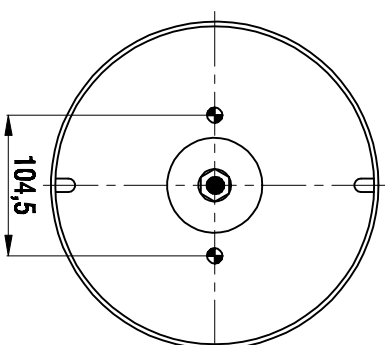


TOP VIEW



BOTTOM VIEW



Drawings are prepared for catalogue study.

Issue		12.12.2012	Checked by		Approved by
Fix drawing			Drawn by		
Changes			Checked by		
Do not edit this drawing			Approved by		
PART VERSION:		<input checked="" type="checkbox"/> Drafted <input checked="" type="checkbox"/> Compo steel <input checked="" type="checkbox"/> Air tech <input checked="" type="checkbox"/> Threaded base			
_kg		All rights reserved. All dimensions and weights are subject to change without notice.			
PART NAME		34150 K COMPLETE (AIRTECH)		ORDER NO.: 134382	