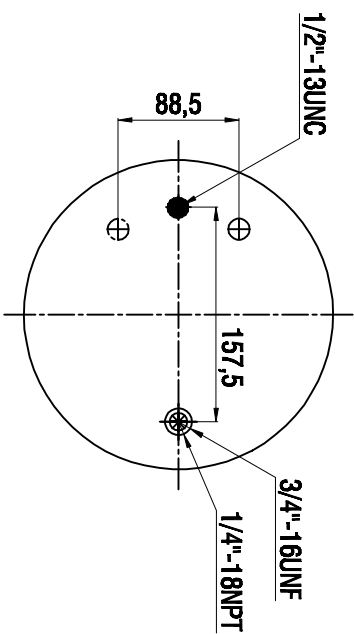
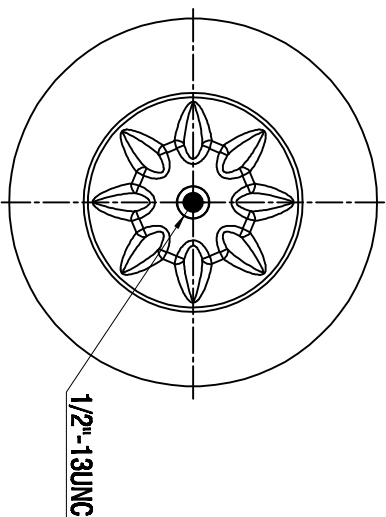


**TOP VIEW**



**BOTTOM VIEW**



Drawings are prepared for catalogue study.

<b>REV</b> 0 First drawing		<b>DATE</b> 12.12.2012		<b>DRAWN BY</b>		<b>CHECKED BY</b>		<b>APPROVED BY</b>	
<b>DESIGNER</b> Changes		<b>DATE</b>		<b>DRAWN BY</b>		<b>CHECKED BY</b>		<b>APPROVED BY</b>	
<b>PART NUMBER</b> 32303		<b>DATE</b>		<b>DRAWN BY</b>		<b>CHECKED BY</b>		<b>APPROVED BY</b>	
<b>REVISIONS</b> ...		<b>DATE</b>		<b>DRAWN BY</b>		<b>CHECKED BY</b>		<b>APPROVED BY</b>	
<b>PART NAME</b> 32303 K COMPLETE (ARTECH)		<b>ORDER NO:</b> 194522							